



■ Features :

- Universal AC input / Full range
- Built-in active PFC function
- Protections: Short circuit / Overload / Over voltage / Over temperature
- 5"x3" compact size
- Free air convection for 100W and 150W with 20.5 CFM forced air
- With power good and fail signal output
- No load power consumption under 0.75W by PS-ON control (G model)
- Standby 5V@0.8A with fan, @0.6A without fan (G model)
- 3 years warranty

**G: With 5Vsb & no load power consumption < 0.75 W**      RPD **G** - 160B  
**Blank: Basic function (without 5Vsb)**

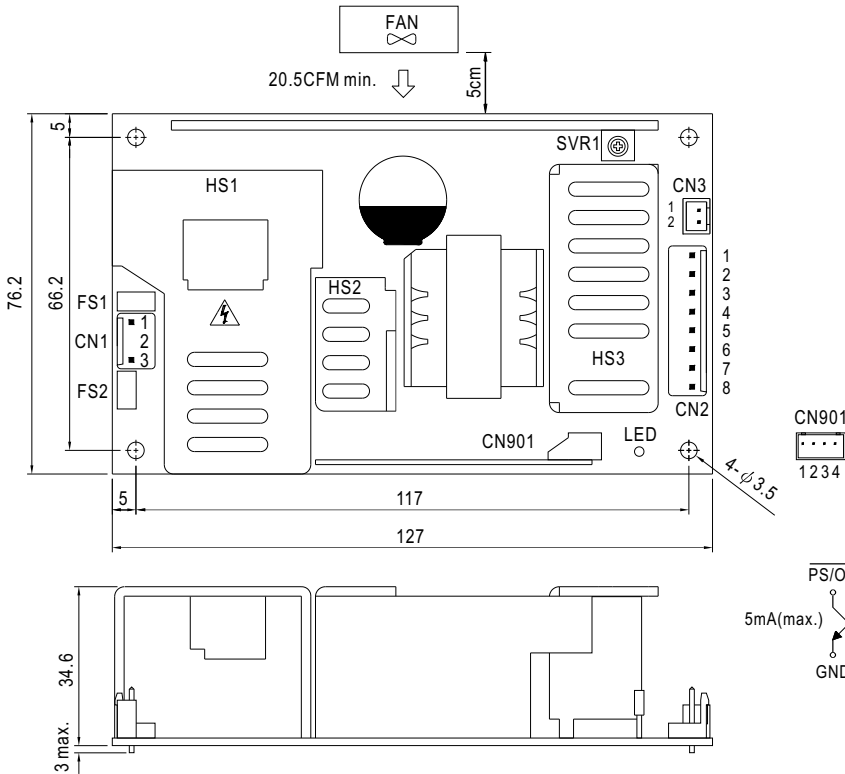


**SPECIFICATION**

MODEL		RPD-160B	
OUTPUT	OUTPUT NUMBER	CH1	CH2
	DC VOLTAGE	5V	24V
	RATED CURRENT (20.5CFM)	12A	3.6A
	CURRENT RANGE (convection)	1 ~ 6A	0.2 ~ 2.8A
	CURRENT RANGE (20.5CFM)	1 ~ 12A	0.2 ~ 3.6A
	RATED POWER (convection) Note.7	100.2W	
	RATED POWER (20.5CFM) Note.8	150.4W	
	RIPPLE & NOISE (max.) Note.2	80mVp-p	200mVp-p
	VOLTAGE ADJ. RANGE	CH1: 5 ~ 5.5V	
	VOLTAGE TOLERANCE Note.3	±2.5%	±6.0%
	LINE REGULATION	±0.5%	±1.0%
	LOAD REGULATION	±1.5%	±3.0%
SETUP, RISE TIME	1200ms, 30ms/230VAC      2500ms, 30ms/115VAC at full load		
HOLD UP TIME (Typ.)	16ms/230VAC/115VAC at full load		
INPUT	VOLTAGE RANGE Note.6	90 ~ 264VAC	127 ~ 370VDC
	FREQUENCY RANGE	47 ~ 63Hz	
	POWER FACTOR (Typ.)	PF>0.93/230VAC	PF>0.98/115VAC at full load
	EFFICIENCY (Typ.)	84%	
	AC CURRENT (Typ.)	1.7A/115VAC	0.9A/230VAC
	INRUSH CURRENT (Typ.)	COLD START 35A/115VAC	70A/230VAC
LEAKAGE CURRENT	Earth leakage current <300uA / 264VAC, patient leakage current <100uA/264VAC		
PROTECTION	OVERLOAD	105 ~ 135% rated output power Protection type : Hiccup mode, recovers automatically after fault condition is removed	
	OVER VOLTAGE	CH1: 5.75 ~ 6.75V Protection type : Shut down o/p voltage, re-power on to recover	
	OVER TEMPERATURE	105°C (TSW1) detect on heatsink of power transistor	
		90°C (TSW2) detect on heatsink of power transistor Protection type : (TSW1)Shut down o/p voltage, recovers automatically after temperature goes down Protection type : (TSW2)Shut down o/p voltage, re-power on to recover	
FUNCTION	5V STANDBY (G model)	5VSB : 5V@0.6A without fan, 0.8A with fan 20.5CFM ; tolerance ± 2%, ripple : 50mVp-p(max.)	
	PS-ON INPUT SIGNAL (G model)	Power on: PS-ON = "Hi" or " > 2 ~ 5V" ; Power off: PS-ON = "Low" or " < 0 ~ 0.5V"	
	POWER GOOD / POWER FAIL	500ms>PG>10ms	PF>1ms
ENVIRONMENT	WORKING TEMP.	-20 ~ +70°C (Refer to output load derating curve)	
	WORKING HUMIDITY	20 ~ 90% RH non-condensing	
	STORAGE TEMP., HUMIDITY	-40 ~ +85°C, 10 ~ 95% RH	
	TEMP. COEFFICIENT	±0.03%/°C (0 ~ 50°C)	
	VIBRATION	10 ~ 500Hz, 2G 10min./1cycle, 60min. each along X, Y, Z axes	
SAFETY & EMC (Note 4)	SAFETY STANDARDS	UL60601-1, TUV EN60601-1 approved	
	WITHSTAND VOLTAGE	I/P-O/P:4KVAC	I/P-FG:1.5KVAC    O/P-FG:0.5KVAC
	ISOLATION RESISTANCE	I/P-O/P, I/P-FG, O/P-FG:100M Ohms / 500VDC / 25°C / 70% RH	
	EMI CONDUCTION & RADIATION	Compliance to EN55011 (CISPR11), EN55022 (CISPR22) Class B	
	HARMONIC CURRENT	Compliance to EN61000-3-2,-3	
OTHERS	EMSI IMMUNITY	Compliance to EN61000-4-2,3,4,5,6,8,11; ENV50204, EN55024, EN60601-1-2, EN61204-3, medical level, criteria A	
	MTBF	196.3Khrs min.    MIL-HDBK-217F (25°C)	
OTHERS	DIMENSION	127*76.2*34.6mm (L*W*H)	
	PACKING	0.33Kg; 36pcs/12.9Kg/0.79CUFT	
NOTE	<ol style="list-style-type: none"> <li>1. All parameters NOT specially mentioned are measured at 230VAC input, rated load and 25°C of ambient temperature.</li> <li>2. Ripple &amp; noise are measured at 20MHz of bandwidth by using a 12" twisted pair-wire terminated with a 0.1uf &amp; 47uf parallel capacitor.</li> <li>3. Tolerance : includes set up tolerance, line regulation and load regulation.</li> <li>4. The power supply is considered a component which will be installed into a final equipment. The final equipment must be re-confirmed that it still meets EMC directives.</li> <li>5. HS1,HS2 &amp; HS3 can not be shorted.</li> <li>6. Derating may be needed under low input voltages. Please check the derating curve for more details.</li> <li>7. The rated power includes 5Vsb @ 0.6A.</li> <li>8. The rated power includes 5Vsb @ 0.8A.</li> </ol>		

**Mechanical Specification**

Unit:mm



AC Input Connector (CN1) : JST B3P-VH or equivalent

Pin No.	Assignment	Mating Housing	Terminal
1	AC/N	JST VHR or equivalent	JST SVH-21T-P1.1 or equivalent
2	No Pin		
3	AC/L		

DC Output Connector (CN2) : JST B8P-VH or equivalent

Pin No.	Assignment	Mating Housing	Terminal
1,2,3,4	COM	JST VHR or equivalent	JST SVH-21T-P1.1 or equivalent
5,6	CH1		
7	CH2		
8	NC		

Power Good Connector(CN3):JST B2B-XH or equivalent

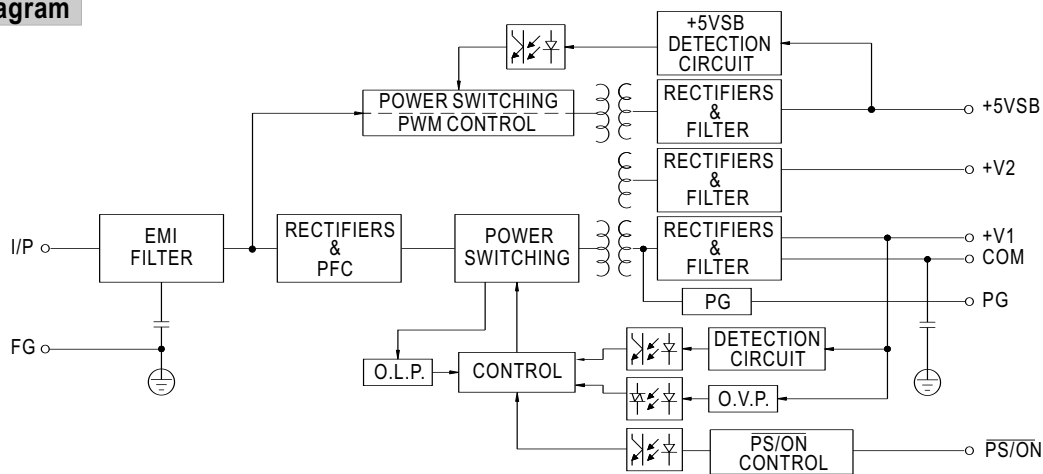
Pin No.	Status	Mating Housing	Terminal
1	PG	JST XHP or equivalent	JST SXH-001T-P0.6 or equivalent
2	GND		

5VSB Connector(CN901) : JST B-XH or equivalent

Pin No.	Assignment	Mating Housing	Terminal
1	PS/ON	JST XHP or equivalent	JST SXH-001T or equivalent
2,4	GND		
3	5VSB		

! HS1,HS2,HS3 can not be shorted

**Block Diagram**



**Derating Curve**

**Output Derating VS Input Voltage**

