

KEY FEATURES

- Switching Power Module for PCB Mountable
- Fully Encapsulated Plastic Case
- Universal Input Range 90-264VAC, 47-440 Hz
- Regulated Output
- Low Ripple and Noise
- High Efficiency
- CE, cUL, TUV Approvals
- 2-Year Product Warranty


ELECTRICAL SPECIFICATIONS

Model No. (Single Output)	ANC-5S	ANC-12S	ANC-15S	ANC-24S
Max Output Wattage (W)	15W	15W	15W	15W
Input	Voltage			
	90-264 VAC or 120-370 VDC			
	Frequency (Hz)			
	47-440 Hz			
	Current (Full load)			
	280 mA max. (115 VAC) / 170 mA max. (230 VAC)			
Inrush Current (<2ms)				
10 A max. (115 VAC) / 20 A max. (230 VAC)				
Leakage Current				
0.75 mA max.				
External Fuse (recommend)				
1.5 A slow blow type				
Output	Voltage (V.DC.)			
	5V			
	12V			
	15V			
	24V			
	Voltage Accuracy			
	±2%			
	Current (mA) max			
	3000			
	1250			
	1000			
	625			
Line Regulation (LL-HL) (typ.)				
±0.5%				
Load Regulation (5-100%) (typ.)				
±0.5%				
Minimum Load				
0%				
Maximum Capacitive Load				
470-23,000µF depending on model				
Ripple				
<0.2% Vout +40mV max (Vp-p)				
Noise				
<0.5% Vout +50mV max (Vp-p)				
Efficiency				
70%				
73%				
73%				
77%				
Hold-up Time				
15 ms min.				
Switching Frequency				
100 kHz				
Protection	Over Power Protection			
	Hiccup technique, auto-recovery			
	Over Voltage Protection			
Zener diode clamp				
Short Circuit Protection				
Hiccup mode, indefinite (automatic recovery)				
Isolation	Input-Output (V.AC)			
	3000V			
	Input-FG (V.AC)			
1500V				
Output-FG (V.AC)				
500V				
Environment	Operating Temperature			
	-25°C...+70°C (with derating)			
	Storage Temperature			
	-40°C...+85°C			
	Temperature Coefficient			
±0.02%/°C				
Humidity				
95% RH				
MTBF				
>200,000 h @ 25°C (MIL-HDBK-217F)				
Physical	Dimension (L x W x H)			
	2.91 x 2.13 x 0.87 Inches (74.0 x 54.0 x 22.0 mm) Tolerance ±0.5 mm			
	Case Material			
	Plastic resin with Fiberglass (flammability to UL 94V-0)			
Weight				
140 g				
Cooling Method				
Free air convection				
Safety	Agency Approvals			
UL/cUL, CE, TUV				
EMC	EMI (Conducted & Radiated Emission)			
	EN 55022 class B			
EMS (Noise Immunity)				
EN 55024				

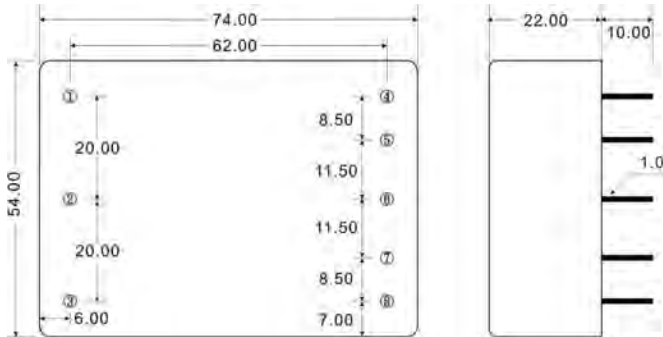
All specifications valid at nominal input voltage, full load and +25°C after warm-up time unless otherwise stated.

ELECTRICAL SPECIFICATIONS

Model No. (Dual > Triple Output)	ANC-5D	ANC-12D	ANC-15D	ANC-5S12D	ANC-5S15D	
Max Output Wattage (W)	15W	15W	15W	15W	15W	
Input	Voltage					
	90-264 VAC or 120-370 VDC					
	Frequency (Hz)					
	47-440 Hz					
	Current (Full load)					
	280 mA max. (115 VAC) / 170 mA max. (230 VAC)					
Inrush Current (<2ms)						
10 A max. (115 VAC) / 20 A max. (230 VAC)						
Leakage Current						
0.75 mA max.						
External Fuse (recommend)						
1.5 A slow blow type						
Output	Voltage (V.DC.)	±5V	±12V	±15V	5/±12	5/±15
	Voltage Accuracy	±2%				
	Current (mA) max	±1500	±650	±500	2000/±200	2000/±150
	Line Regulation (LL-HL) (typ.)	±0.5%			±1% / ±5%	
	Load Regulation (5-100%) (typ.)	±3%			±2% / ±5%	
	Minimum Load	0%			5V 10% (200 mA)	
	Maximum Capacitive Load	470-23,000µF depending on model				
	Ripple	<0.2% Vout +40mV max (Vp-p)				
	Noise	<0.5% Vout +50mV max (Vp-p)				
	Efficiency	71%	76%	65%	68%	68%
	Hold-up Time	15 ms min.				
	Switching Frequency	100 kHz				
	Protection	Over Power Protection	Hiccup technique, auto-recovery			
Over Voltage Protection		Zener diode clamp				
Short Circuit Protection		Hiccup mode, indefinite (automatic recovery)				
Isolation	Input-Output (V.AC)	3000V				
	Input-FG (V.AC)	1500V				
	Output-FG (V.AC)	500V				
Environment	Operating Temperature	-25°C...+70°C (with derating)				
	Storage Temperature	-40°C...+85°C				
	Temperature Coefficient	±0.02%/°C				
	Humidity	95% RH				
	MTBF	>200,000 h @ 25°C (MIL-HDBK-217F)				
Physical	Dimension (L x W x H)	2.91 x 2.13 x 0.87 Inches (74.0 x 54.0 x 22.0 mm) Tolerance ±0.5 mm				
	Case Material	Plastic resin with Fiberglass (flammability to UL 94V-0)				
	Weight	140 g				
	Cooling Method	Free air convection				
Safety	Agency Approvals	UL/cUL, CE, TUV				
EMC	EMI (Conducted & Radiated Emission)	EN 55022 class B				
	EMS (Noise Immunity)	EN 55024				

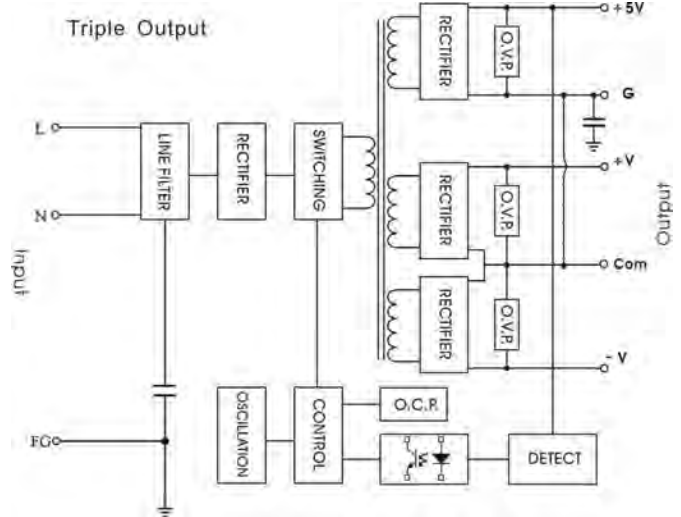
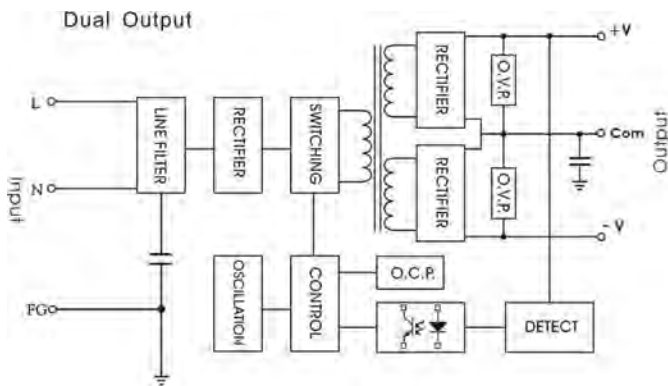
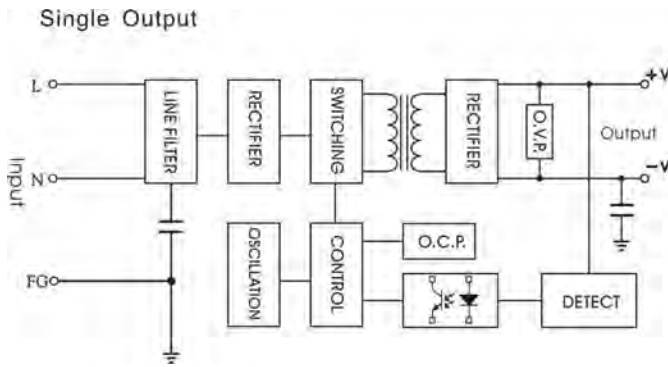
All specifications valid at nominal input voltage, full load and +25°C after warm-up time unless otherwise stated.

MECHANICAL DIMENSION (Top View)



PIN#	SINGLE	Dual	Triple
1	FG	FG	FG
2	AC IN (N)	AC IN (N)	AC IN (N)
3	AC IN (L)	AC IN (L)	AC IN (L)
4	NO PIN	NO PIN	-DC OUT
5	-DC OUT	-DC OUT	COMMON
6	NO PIN	COMMON	+DC OUT
7	+DC OUT	+DC OUT	+5V RTN
8	NO PIN	NO PIN	+5V OUT

BLOCK DIAGRAM



DERATING

