

KEY FEATURES

- U Bracket Switching Power Supply
- Universal Input: 90-264 VAC
- With P.F.C. Function, PF>0.95
- Free Air Convection
- High Efficiency up to 93%
- RoHS Compliant Design
- Ultra Compact Size: 6.0 x 4.18 x 1.38 Inches
- 3-Years Product Warranty



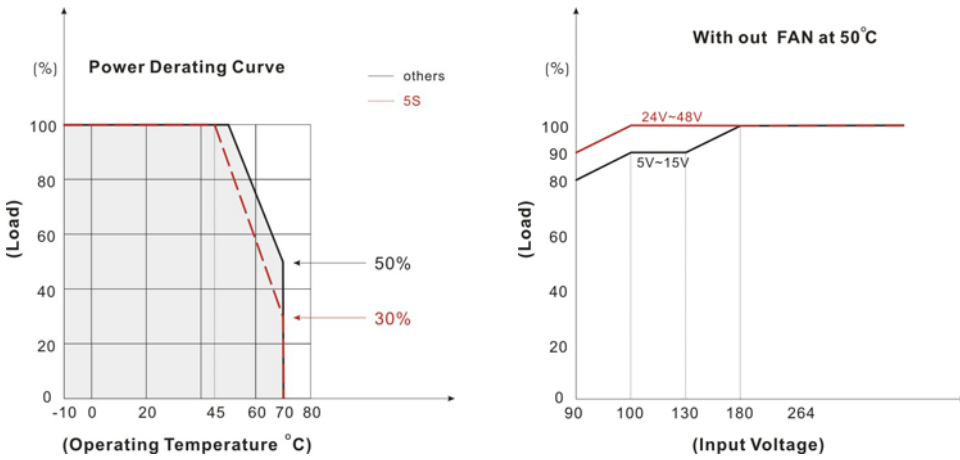
ELECTRICAL SPECIFICATIONS

Model No.	AQF240 U-5S	AQF240 U-12S	AQF240 U-15S	AQF240 U-24S	AQF240 U-28S	AQF240 U-36S	AQF240 U-32S	AQF240 U-48S										
Max Output Wattage (W)	180W	240W																
Input	Voltage									90-264 VAC or 120-370 VDC								
	Frequency (Hz)									47-63 Hz								
	Current (Full load)									<3.0 A max. (115 VAC) / <1.5 A max. (230 VAC)								
	Inrush Current (<2ms)									< 30 A max. (115 VAC) / < 60 A max. (230 VAC)								
	Leakage Current									< 0.5 mA max.								
	Power Factor									PF>0.98 (115 VAC) / PF>0.95 (230 VAC) at Full Load								
Output	Voltage (V.DC.)			5V	12V	15V	24V	28V	36V	32V	48V							
	Voltage Accuracy			±2%														
	Current (Convection) (A) max			36	20	16	10	8.57	6.66	7.5	5							
	Line Regulation			±1%														
	Load Regulation			±1%														
	Minimum Load			5%	1%													
	Maximum Capacitive Load			470-23,000µF depending on model														
	Ripple & Noise (max.)			150mVp-p	120mVp-p	200mVp-p												
	Efficiency (typ.)			87%	90%	90%	92%	92%	92%	92%	93%							
Hold-up Time			13 ms min.															
Protection	Over Power Protection			Auto recovery														
	Over Voltage Protection			Latch Off														
	Short Circuit Protection			Latch Off														
Isolation	Input-Output (V.AC)			4000V														
	Input-FG (V.AC)			2000V														
	Output-FG (V.AC)			500V														
Environment	Operating Temperature			-10°C...+70°C (with derating)														
	Storage Temperature			-25°C...+85°C														
	Temperature Coefficient			±0.03%/°C (0~50°C)														
	Humidity			95% RH														
	MTBF			>50,000 h @ 25°C (MIL-HDBK-217F)														
	Vibration			10~500Hz, 2G 10min./1cycle, 60min. each along X, Y, Z axes.														
Physical	Dimension (L x W x H)			5S: 6.0 x 4.18 x 1.46 Inches (150.0 x 106.0 x 37.0 mm) Tolerance ±0.5 mm														
				Others: 6.0 x 4.18 x 1.38 Inches (150.0 x 106.0 x 35.0 mm) Tolerance ±0.5 mm														
	Weight			580 g														
Cooling Method			Free convection															
Safety	Agency Approvals			CE, UL60950(except 5S), CB(except 5S)														
EMC	EMI (Conducted & Radiated Emission)			EN 55022 class B														
	EMS (Noise Immunity)			EN 55024														

1.All specifications valid at normal input voltage, full load and +25°C after warm-up time unless otherwise stated.

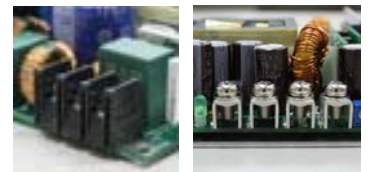
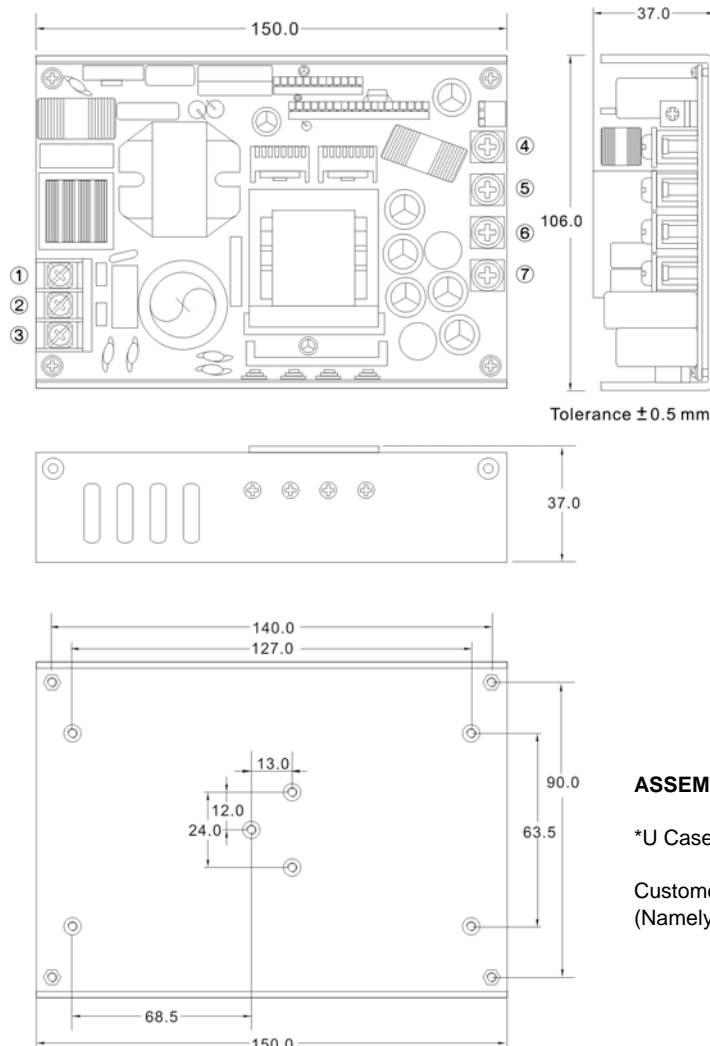
2.Ripple & Noise are measured at 20MHz of bandwidth with 0.1UF & 47UF parallel capacitor.

DERATING



MECHANICAL DIMENSION (Top View)

Standard (5S)



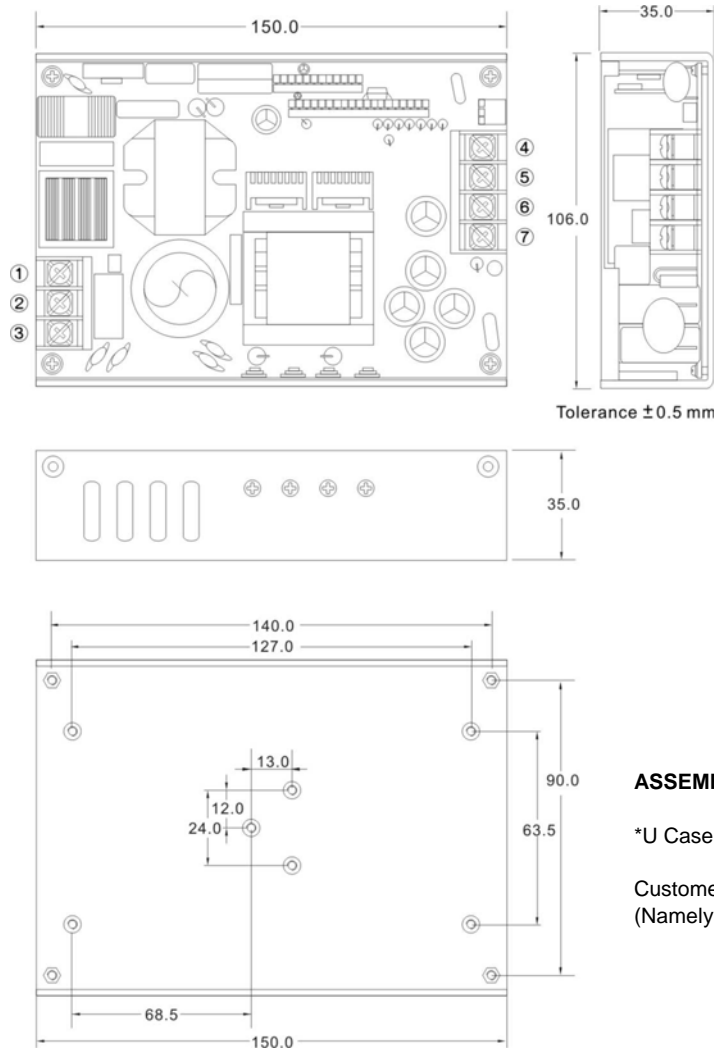
PIN#	Single
1	AC IN (L)
2	AC IN (N)
3	FG
4	+DC OUT
5	+DC OUT
6	-DC OUT
7	-DC OUT

ASSEMBLY INSTRUCTIONS

*U Case T=2.0mm

Customer screws into the length of the case no higher than 0.5mm
(Namely screw length for load plate thickness plus 2.5mm)

Standard (12S、15S、24S、28S、32S、48S)



PIN#	Single
1	AC IN (L)
2	AC IN (N)
3	FG
4	+DC OUT
5	+DC OUT
6	-DC OUT
7	-DC OUT

ASSEMBLY INSTRUCTIONS

*U Case T=2.0mm

Customer screws into the length of the case no higher than 0.5mm
(Namely screw length for load plate thickness plus 2.5mm)

REGULATING

Single Output

